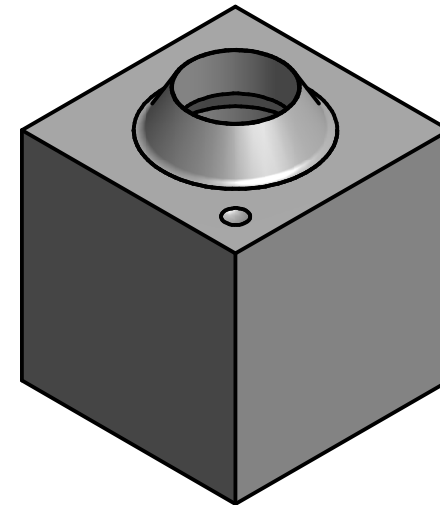


$\varnothing 8,40$
 $\varnothing 4\text{mm BALL NOSE}$
 $0.25\text{mm DEEP } (\varnothing 2,00 \text{ REF})$



HC2020-8.4
HOLE CUTTER $\varnothing 8,40$
20x20mm, 23,80mm HIGH